

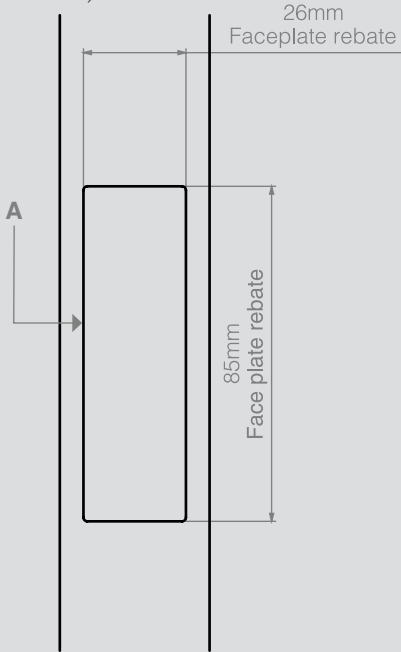


Product Code - 5411

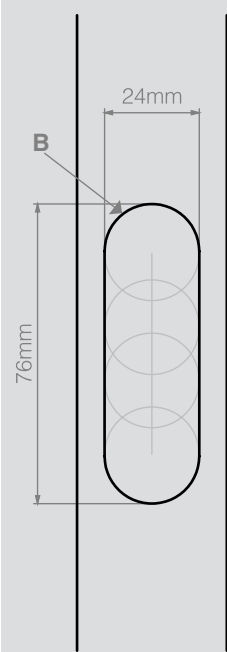
Sliding Door Edge Pull - Timber Door

Rebate Crop Out A

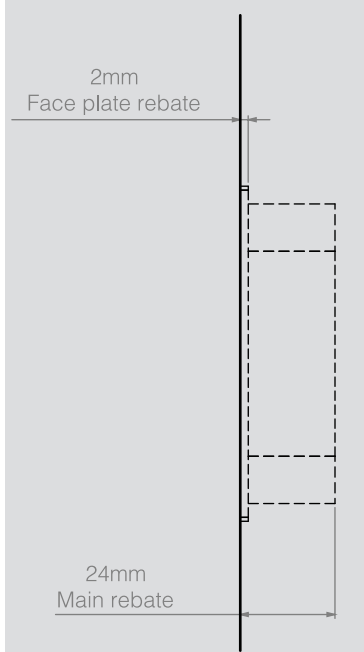
(Not to scale)



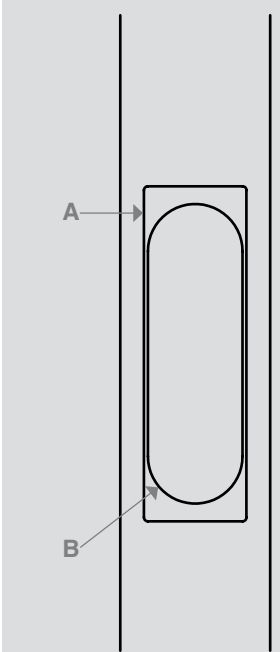
Rebate Crop Out B



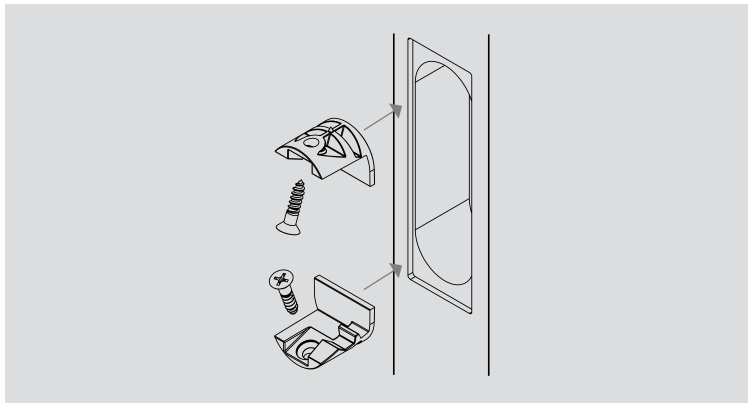
Overall Rebate



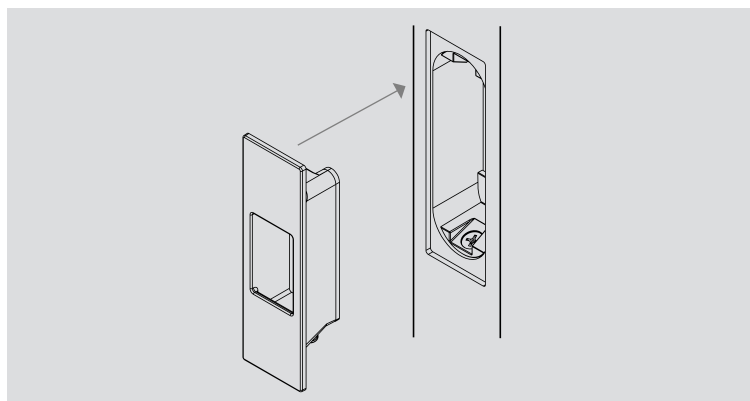
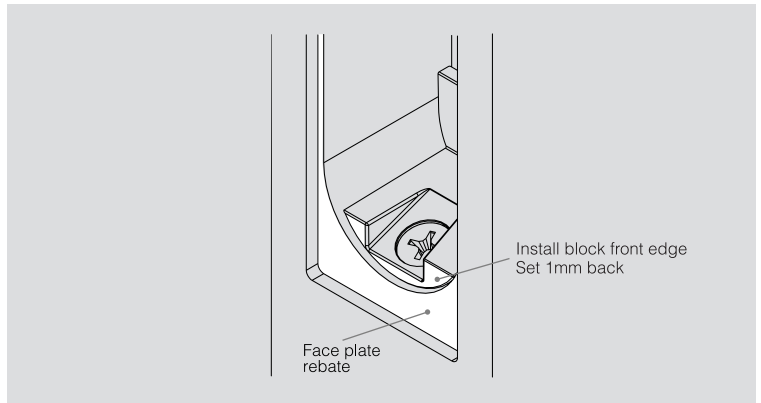
Complete Rebate



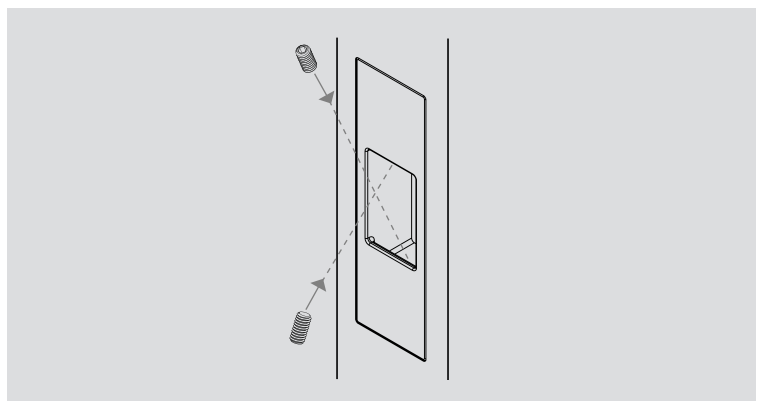
1. Locate the desired position of the edge pull and find the door width midpoint. Mark out rebate crop out A to cut a face plate rebate at a 2mm depth.
2. Locate the mid-point on the face plate, rebate and mark out rebate crop out B. Cut the rebate to a 22mm depth (minimum). Ensure rebate B is centered on face plate rebate A.



3. Fix the top and bottom install blocks in place. Ensure correct orientation (90-degree face should enter first) Ensure the front edge of the install block is 1mm back from the face plate rebate.



4. With the two install blocks correctly installed, place the edge pull into the cavity ensuring that the front face is flush with the door edge.



5. Use the set screws provided to fix the edge pull in place. (note that these are the offset holes) Do not overtighten the set screws.

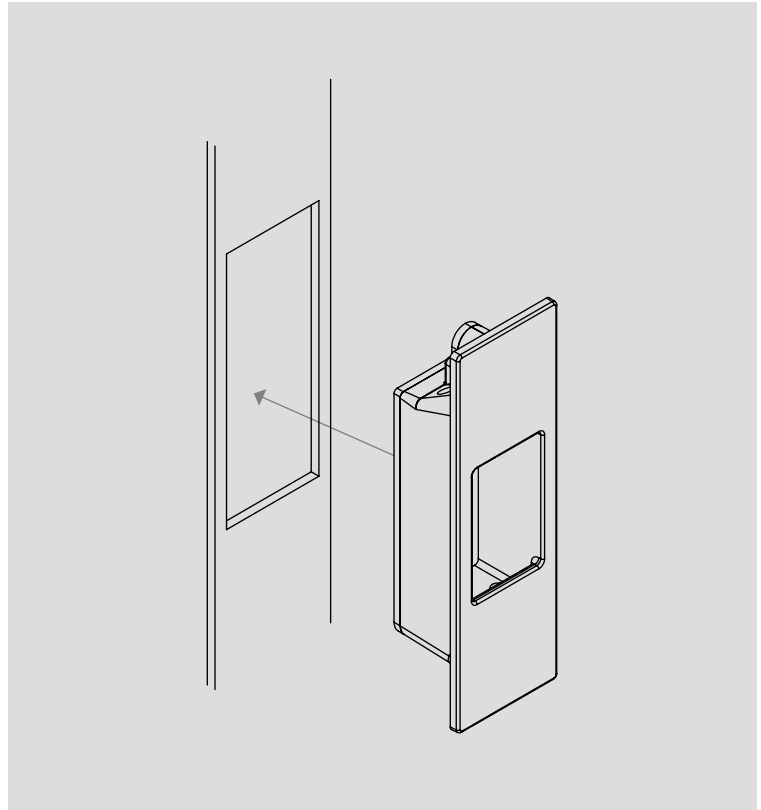
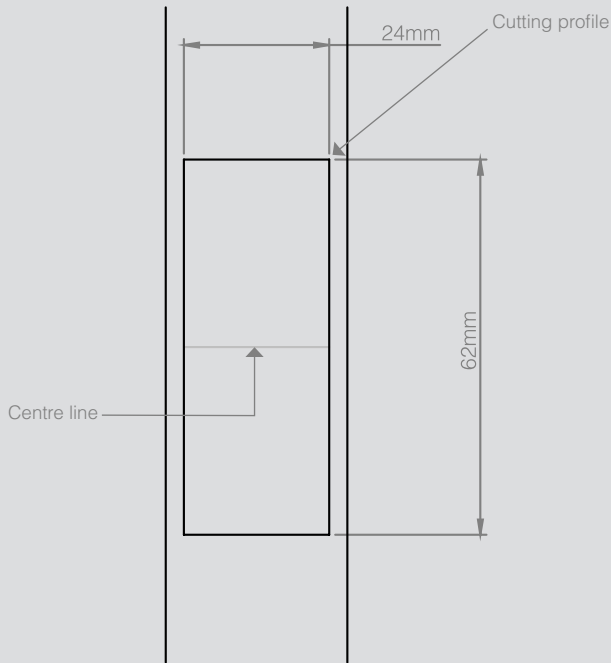


Product Code - 5411

Sliding Door Edge Pull - Aluminium Door

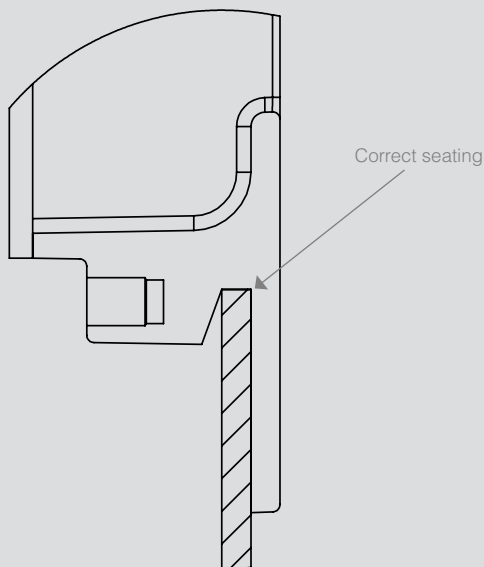
Aluminium Crop Out

(Not to scale)

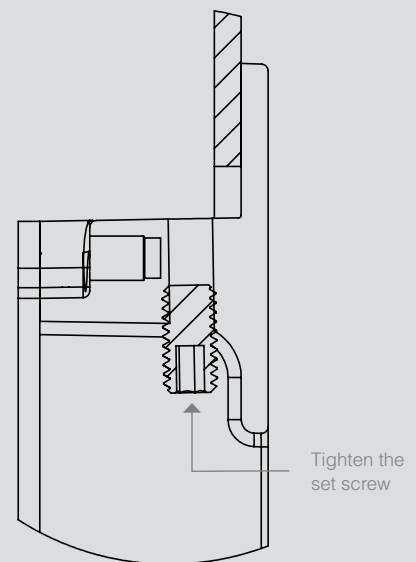


1. Locate the desired position of the edge pull and find the door width midpoint. Please note: The end pull will drop by approx. 3mm once seated down on bottom edge.
2. Mark out the rectangle crop out and remove the material.

3. With the midline set screw facing up, insert the edge pull into the crop out rectangle.

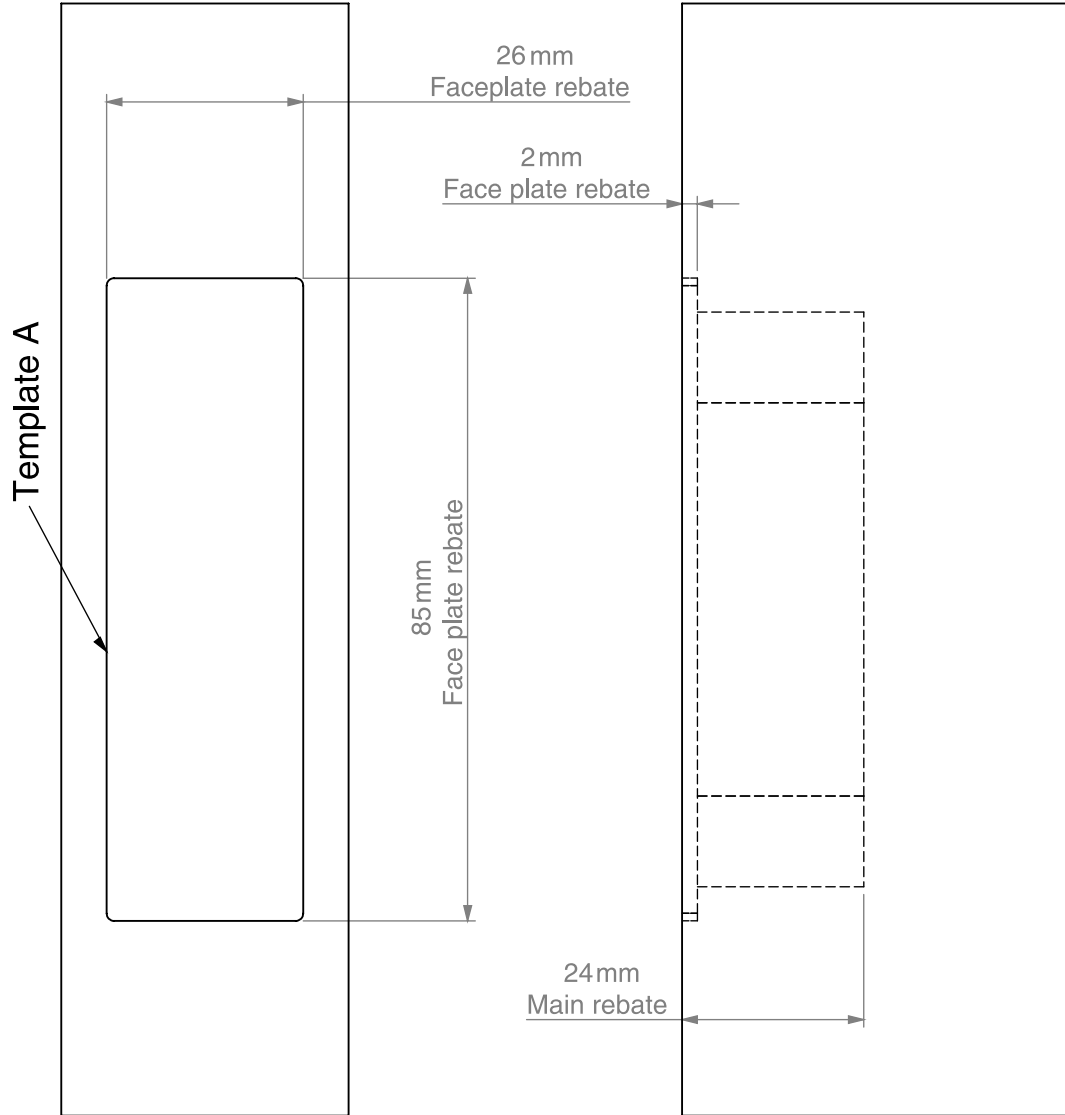


4. Ensure that the bottom of the end pull is correctly seated down on the bottom edge of the rectangle crop out.



5. Tighten the middle set screw to lock the edge pull in place.

A



B

